

1L Clear Round Water rPET Bottle - 28mm Neck

1L TAB-WATER 5FT 1810 32.5G 30% RPET x 756 11132

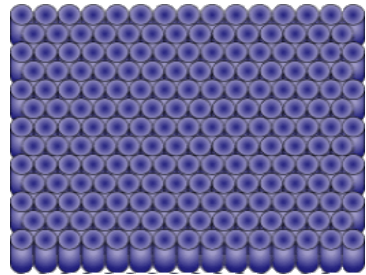
Product Info		Quality Specifications			
--------------	--	------------------------	--	--	--

Pal Qty: 756 Weight: 032.50
 Colour: 70V30PC Mould ID: 1745

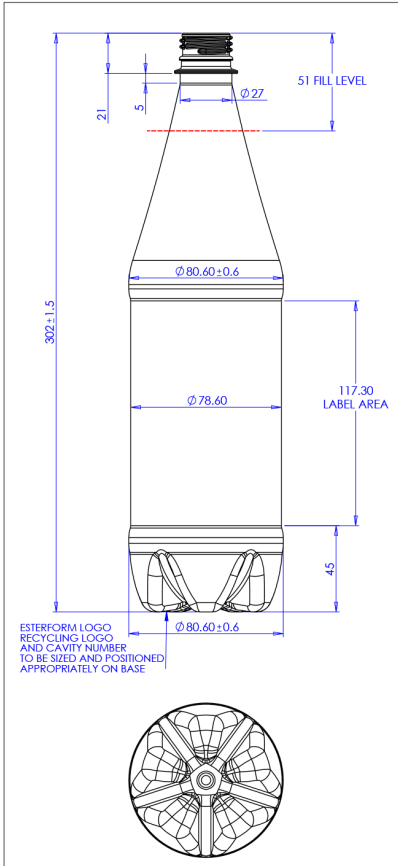
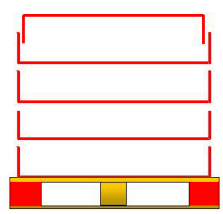
Packaging
 4 LIPS UP KILN DRIED
 7x15 6x14=189 x 4 layers=756

	Min	Max	Aim	Unit
Bottle Weight	32.2	32.8	32.50	gm
Burst	130		130.00	psi
Capacity at fill-line	1000	1020	1010.00	ml
Height	300.5	303.5	302.00	mm
Wall thickness 1	0.2	0.4	0.30	mm
Fill line measurement	50		50.00	mm
Top Load 5mm	13		13.00	kg

Tray Layout



Pallet Layout



esterform
PACKAGING

PRODUCT TITLE
1000ml BLUE ALTO (5 foot)

DRAWING NUMBER
E2611-B-01

ISSUE NUMBER
2

MATERIAL
PET

CAPACITY @ FILL LEVEL @ 20°C after 72hrs
1010ml ± 10ml

CAPACITY @ BRIMFUL @ 20°C after 72hrs
1041ml ± 10ml

NECK FINISH
28mm PCO 1810

NECK DRAWING No
E135-N-01

DESIGN WEIGHT
32.5g

ALTERNATIVE WEIGHTS
...

TOOLING REF
...

DIMENSIONS

ALL DIMENSIONS IN MILLIMETERS UNLESS OTHERWISE STATED

ALL DIMENSIONS SHOWN ARE A REPRESENTATION AND ARE SUBJECT TO CHANGE

UNLESS STATED: GENERAL TOLERANCES FOR BLOWN PARTS = ±0.5 mm

UNLESS STATED GENERAL TOLERANCES FOR INJECTED PARTS = ±0.2mm

THIS DRAWING AND THE COPYRIGHT THEREON ARE THE PROPERTY OF ESTERFORM LTD AND MUST NOT BE REPRODUCED IN PART OR IN WHOLE OR PASSED ON TO OTHERS WITHOUT PERMISSION

HEAD OFFICE
 ESTERFORM PACKAGING LIMITED Phone : +44 (0) 1584 810 600
 BORASTON LANE Fax : +44 (0) 1584 810 213
 TENBURY WELLS
 WORCESTERSHIRE
 WR15 8LE, UK

Material: 30% RPET
 rPET%: 30%

Masterbatch & LDR% Info: 70% VIRGIN 30% POST CONSUMER