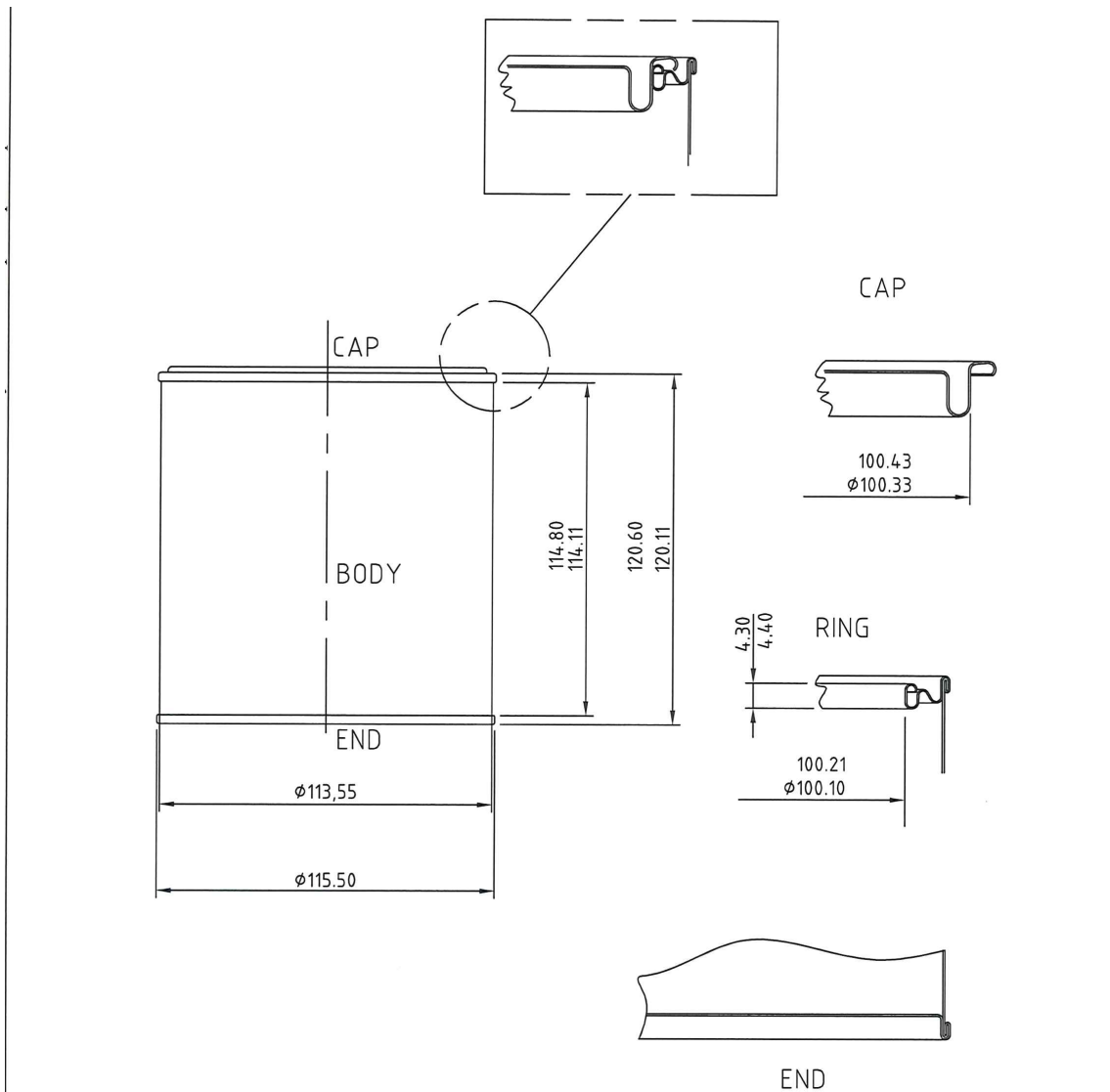
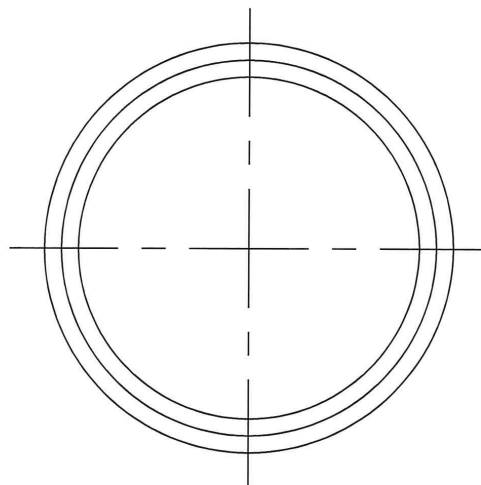
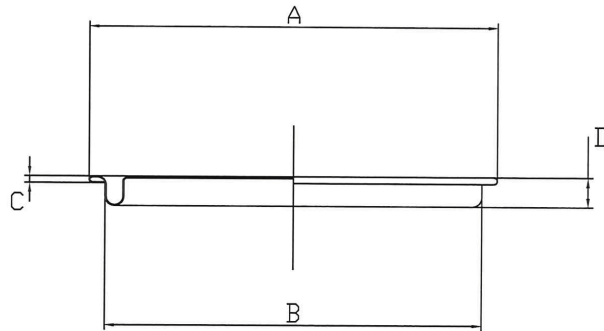


1L White Lever Lid Tin with Plain Interior



SCALE 1:3

		DIMENSIONS IN MILLIMETRES											
		TOLERANCES UNLESS STATED OTHERWISE											
		.X ±0.2 ANGULAR ±0.25				COMPT DRG No	44-113-120-LP						
		.XX ±0.05				USED ON							
		BREAK ALL SHARP EDGES				MATERIAL	ELECTROPLATED T.P.						
C		BODY	END	LID	RING	H.T.	NONE		TITLE				
B		THICKNESS	0.21	0.20	0.24	0.25	DRAWN	JL	DATE	23/04/12			
A	FIRST ISSUE	SPEC.	TS275 (T57)	TS275 (T57)	TS275 (T57)	TS275 (T57)	APPROVED		DATE				
MODIFICATIONS		DATE	TIN COAT (g/m ²)	2.8/2.8	2.8/2.8	2.8/2.8	1 st ANGLE PROJECTION		SHT 1 OF 1	DRG.No	44-113-120-LP	ISSUE	A
		COMPOUND		LATEX		LATEX							



A ± 0.25	108.59
B ± 0.05	100.38
C ± 0.05	1.52
D ± 0.25	7.87

Material Thickness 0.24mm

Revision. Level.	Date	Amendment.

All Dimensions in Millimetres mm.

1LT LEVER LID container specification

Date. Date.

Issued By. Authorised By.

Drg No. 44 - 113L Rev.