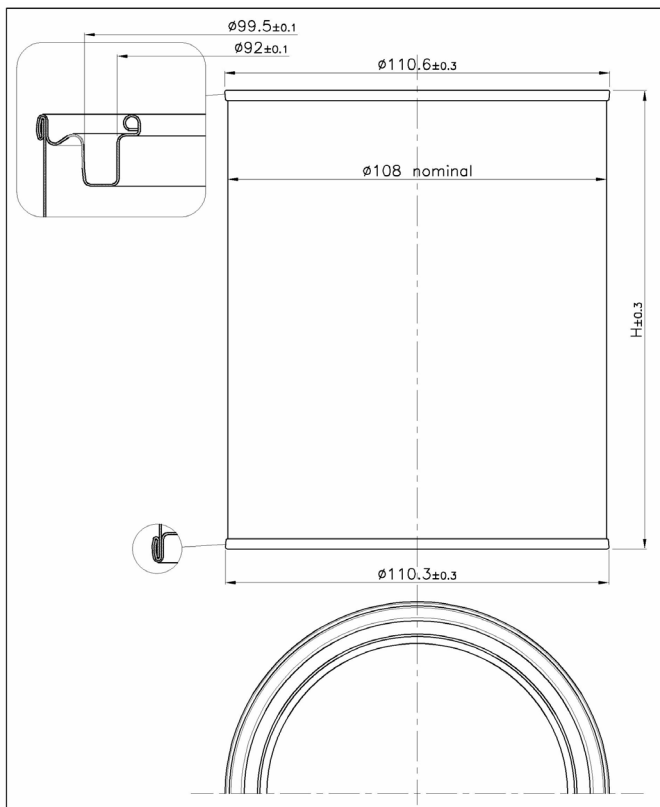


1L White Pail with Plain Interior - Pail



TECHNICAL DATASHEET

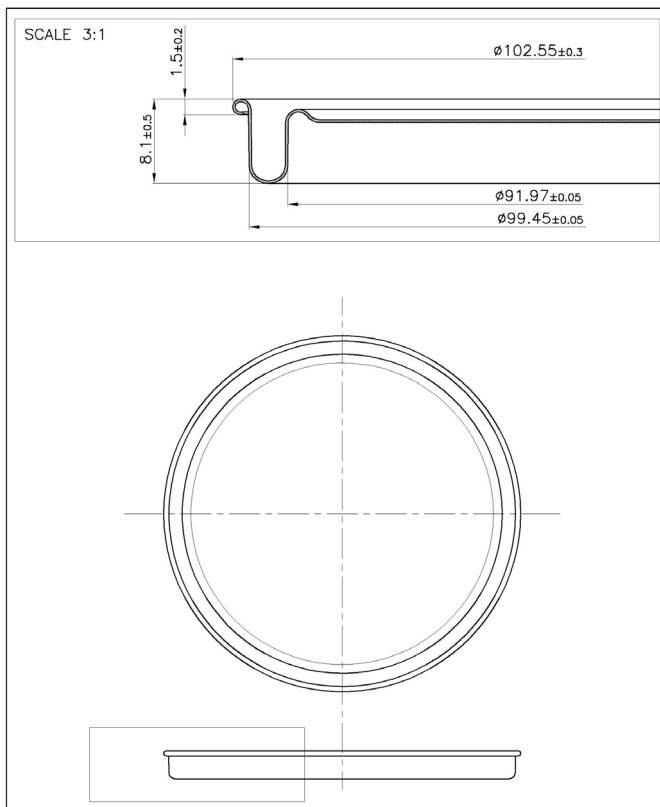
Date	09/11/2017		
Article Code	S1605		
Description	Ø108 H132 - It 1 GHIERA Ø108 3T		
Shape	Cylindrical with ring		
Height(H)	132 mm		
Body Type	Welded		
Weight (gr)	103,0		
Drawing	GA08108001_Can_Ø108_straight_3Tring.jpg		
Material	Thickness	Temper	Tin
Body	0,18	TH435 (T65 CA)	2,0 - 2,0 (Int-Est)
Bottom end	0,18	TH415 (T61 CA)	2,0 - 2,0 (Int-Est)
Lid	0,25	TS245 (T52 BA)	2,0 - 2,0 (Int-Est)

BILL OF MATERIAL

F0193	CORPI Ø109 H132 - It 1	PZ	1,0
E0292	FONDO Ø109 NORMALE	PZ	1,0
E0664	Ø108 CORONA 3T	PZ	1,0
ARAM000003	FILO DI RAME DIAM. 1,50 mm.	GR	4,5

Inside	Plain or with suitable protecting coating
Outside	Plain, lacquered or printed as per customer need
Tolerances	According to EN10202:2004

1L White Pail with Plain Interior - Lid



TECHNICAL DATASHEET

Date	10/07/2017		
Article Code	E0728		
Description	TAPPO PRESSIONE Ø108 3T NO GOCCIA		
Diameter/Side (mm)	108 mm		
Type	TAPPO PRESSIONE 3T		
Weight (gr)	25,0		
Drawing	GA06108003_Ø108_Cap_3T.jpg		
Material	Thickness	Temper	Tin
Body	0,25	TS245 (T52 BA)	2,0 - 2,0 (Int-Est)

BILL OF MATERIAL

F0896	Ø108 TAPPO E CORONA 3T	PZ	1,0
-------	------------------------	----	-----

Inside	Plain or with suitable protecting coating
Outside	Plain, lacquered or printed as per customer need
Tolerances	According to EN10202:2004

1L White Pail with Plain Interior - Collar

PRODUCT	Stooting 108
HS	39235010
MATERIAL	HDPE / Virgin
WEIGHT	14gr
DRAWING	221012

PACKAGING	Type	American box	Euro one way
	Quantity	300pcs	7200pcs
	Dimension	60*40*31cm	120*80*205cm
	Net	4,2kg	100kg
	Gross	5kg	135kg
	Packed	per box	24box per pallet

Description	CAP COLOR	Cust.Ref	GP.Ref
Stooting 108 with UN Code	Not colored	AMIN000431	1V06877