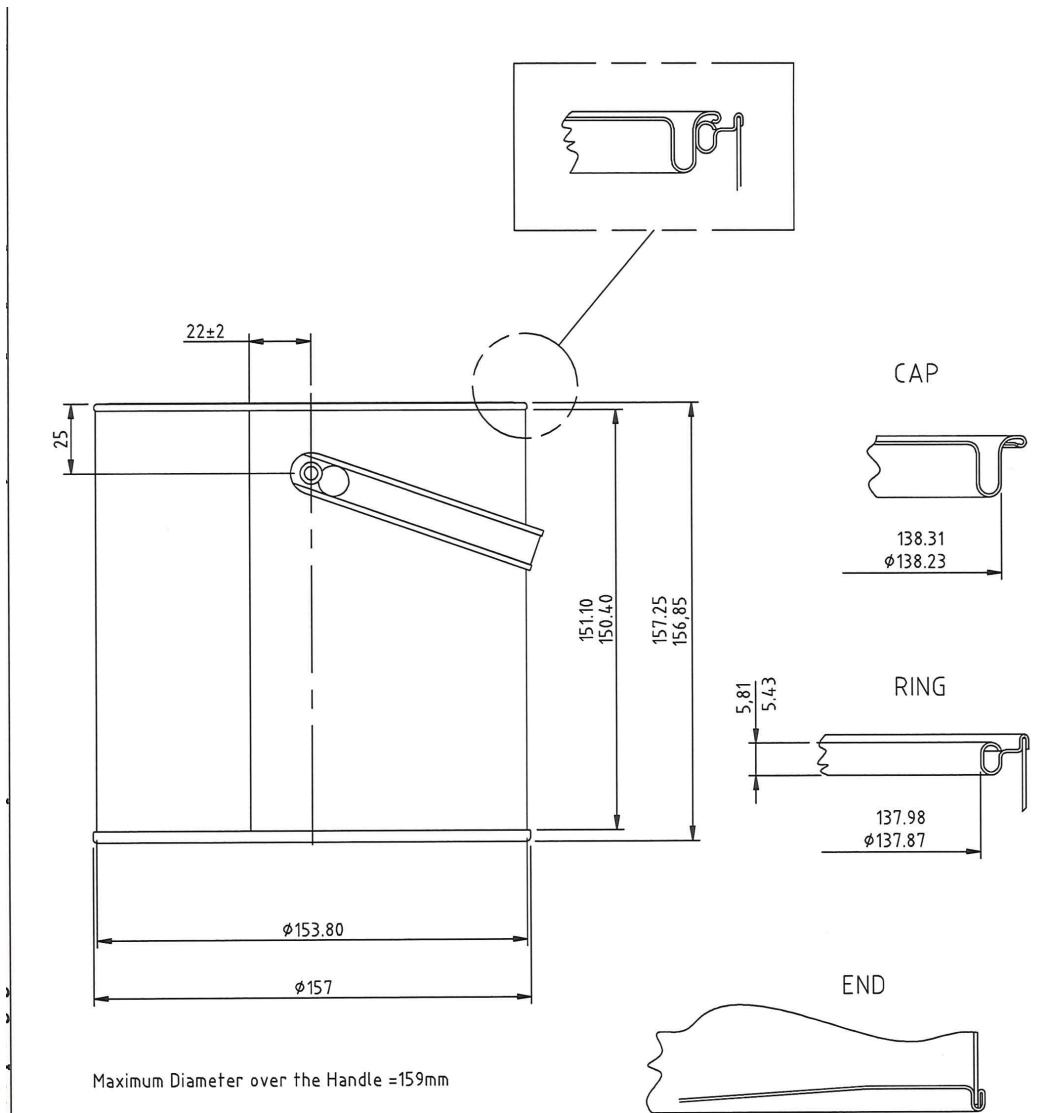
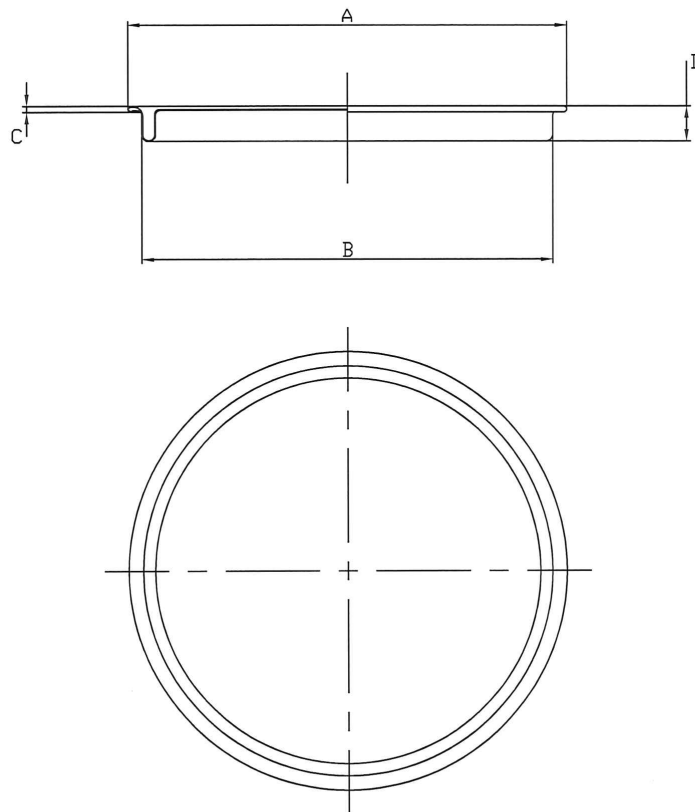


2.5L White Lever Lid Tin with Plain Interior



SCALE 1:3

		DIMENSIONS IN MILLIMETRES									
		TOLERANCES									
		UNLESS STATED OTHERWISE				COMPT DRG No		44-153-157-LP			
		.X ±0.2 ANGULAR ±0.25				USED ON					
		.XX ±0.05				MATERIAL		ELECTROPLATED T.P.			
		BREAK ALL SHARP EDGES				H.T.		NONE			
C		BODY	END	LID	RING	H.T.	DATE	TITLE			
B	Revision Two	23/09/13	0.22	0.23	0.24	0.25	DRAWN JL	DATE	23/09/13	2.5L CAN 153 x 157-LP container specification	
A	Revision One	23/04/12	0.22	0.23	0.24	0.25	APPROVED	DATE			
MODIFICATIONS		DATE	BY (S/N)	BY (S/N)	BY (S/N)	BY (S/N)	1 st ANGLE PROJECTION		SET 1 OF 1	DRG.No 44-153-157-LP	ISSUE B



A ± 0.25	147.68
B ± 0.05	138.28
C ± 0.05	2.03
D ± 0.25	11.94

Revision Level.	Date	Amendment.

Material Thickness 0.24mm

All Dimensions in Millimetres mm.

2.5LT LEVER LID container specification

Date.	Date.
Issued By.	Authorised By.

Drg No.44-153L | Rev.