

## 3L White Pail with Plain Interior - Pail

### TECHNICAL DATA SHEET

CONICAL PAIL SERIES 180  
approved for packaging of liquids

### GENERAL INFORMATION

ARTICLE	LF180.RLC
CUSTOMER CODE	MB03-0L002
UPPER DIAMETER	180 mm
LOWER DIAMETER	165 mm (±1)
BODY THICKNESS	0,26 mm (±4%)
BOTTOM THICKNESS	0,26 mm (±4%)
HEIGHT	158 mm (±2)
WEIGHT	0,292 kg (±4%)
CAPACITY	3,3l
MATERIAL	Tinplate
FINISH	With rim
BODY ASSEMBLY	Welded
BOTTOM ASSEMBLY	Seamed
COMPONENTS	Ears Metal handle

### APPROVAL

ONU 1A2/Y1,2/100/hh/F/BVT 257139/LF  
*("hh" refers to the two last figures of the year of manufacturing of the packaging)*

### CLOSURE SYSTEM

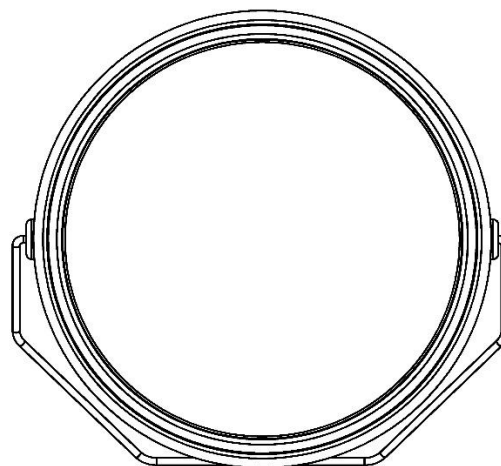
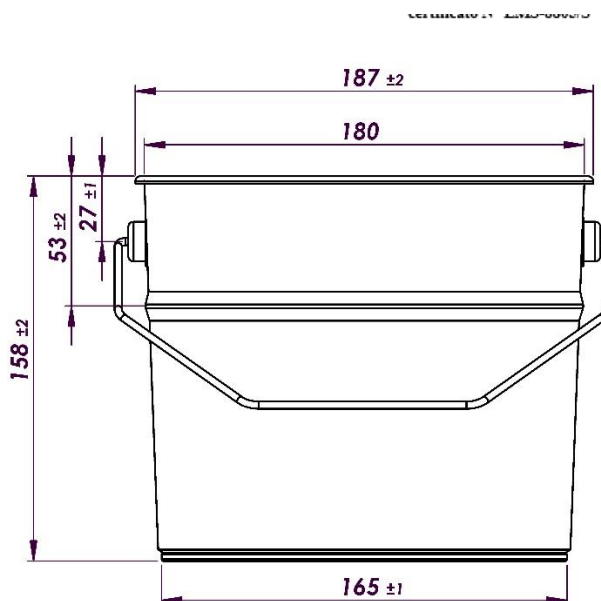
Version without lid

### PACKING

PALLET	BODY	80x120
	LID	-
QUANTITY	BODY	432 pcs
	LID	-

### LITHOGRAPHY SPECIFICATIONS

LITHOGRAPHY	BODY	No
	LID	-
COLORS	BODY	White coating
	LID	-
INTERNAL	BODY	Plain
	LID	-



## 3L White Pail with Plain Interior - Lid

### CLOSURE SYSTEM

TYPE	Ring-latch lid (T28)
COSTOMER CODE	ML180001+ ML180002
DIAMETER	180 mm
WEIGHT	0,202 kg ( $\pm 4\%$ )
LID THICKNESS	0,28 mm ( $\pm 4\%$ )
RING-LATCH THICKNESS	1,00 mm ( $\pm 4\%$ )
TOTAL HEIGHT	15 mm ( $\pm 1$ )
MATERIAL	Tinplate
GASKET	Latex
MARKING	LF 180 C
COMPONENTS	No

### PACKING

PALLET	80x120
QUANTITY	2400 pcs

### LITHOGRAPHY SPECIFICATIONS

LITHOGRAPHY	No
COLORS	White coating
INTERNAL	Plain

