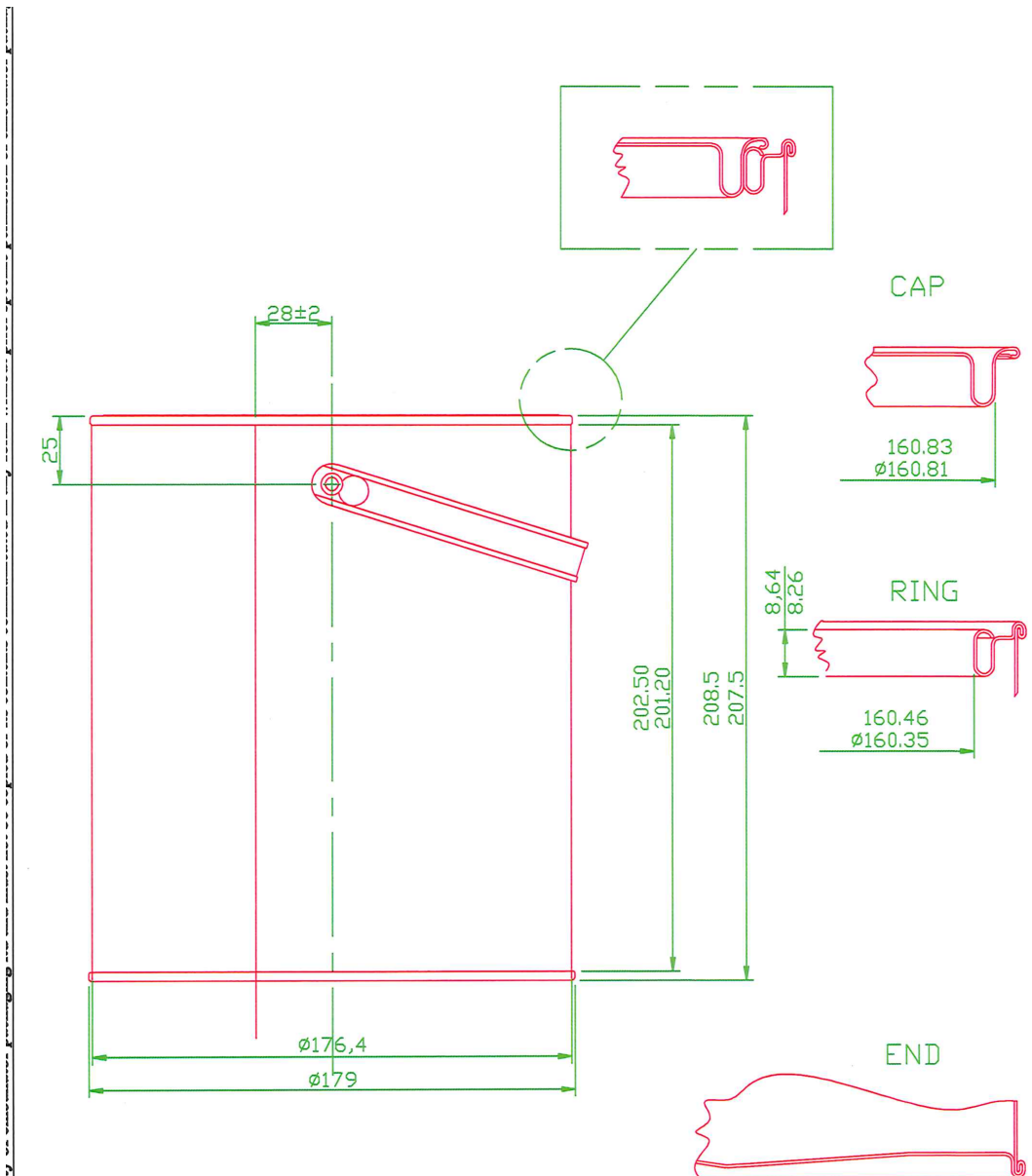
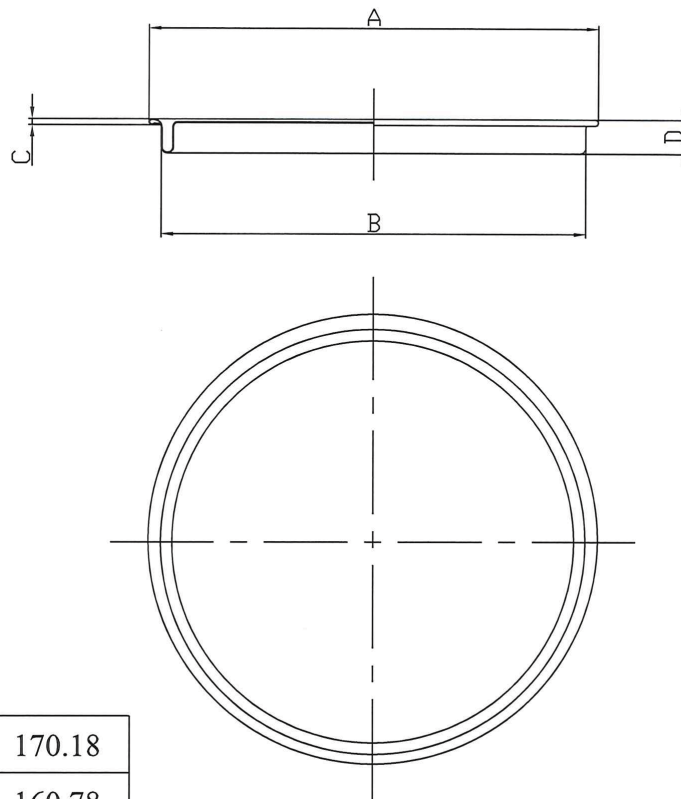


5L White Lever Lid Tin with Plain Interior



SCALE 1:2

DIMENSIONS IN MILLIMETRES		TOLERANCES		COMPT DRG No		TITLE	
UNLESS STATED OTHERWISE		X ±0.2 ANGULAR ±0.25		44-176-208		5Lt. CAN 176 x 208	
XX ±0.05		BREAK ALL SHARP EDGES		USED ON		container specification	
1 st ANGLE PROJECTION		ELECTROPLATED T.P.		DATE 07/09/12		SET 1 OF 1 DRG.No 44-176-208 ISS A	
MODIFICATIONS		DATE		DATE			
CAD.No.		REF					



A ± 0.25	170.18
B ± 0.05	160.78
C ± 0.05	2.3
D ± 0.25	12.85

Revision Level.	Date	Amendment.

Material Thickness 0.24mm

All Dimensions in Millimetres mm.

5 LT LEVER LID container specification

Date.	Date.
Issued By.	Authorised By.

Drg No.44-176L Rev.