
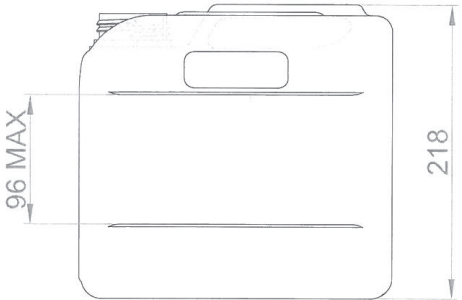
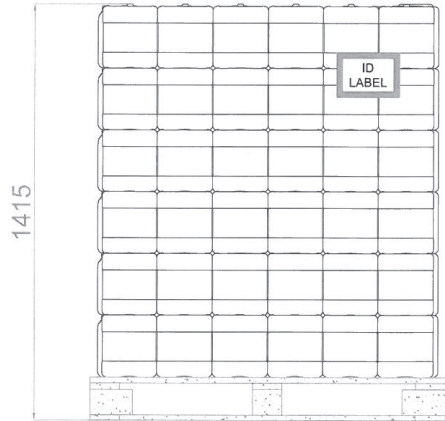
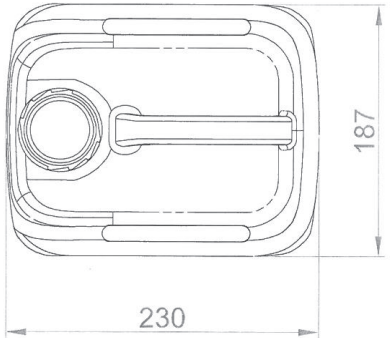
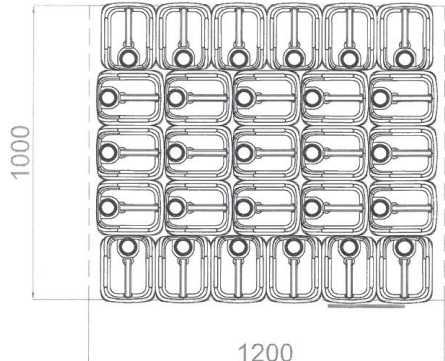


6L Blue Stackable UN Approved Jerry Can (Visi Stripe)

	6L Stackable Fluorinated or Conventional	14.10.2019
Available Weights: 320 ±10g		Brimful Capacity : 7100±120ml
Material: HDPE		
<small>All dimensions are in mm</small>		
	 <p style="text-align: center;">PALLET 1200 x 1000mm</p>	
		
Base Markings:	<i>Cavity number, Date, "F" when Fluorinated, "C" when Conventional</i>	
Cap Options:	<i>51mm Tamper Evident</i>	
Wad Options:	<i>PET / ALU / EPE, IHS or Tresylene</i>	
UN Certification:	<i>For Combined or Freestanding following the density of your products, please contact us</i>	
Gross Weight Approx:	<i>Including Pallet 77kg</i>	
Quantity / Pallet:	<i>162</i>	
Quantity / Lorry:	<i>8424 (52 Pallets) bottles only, 8262 bottles and caps</i>	